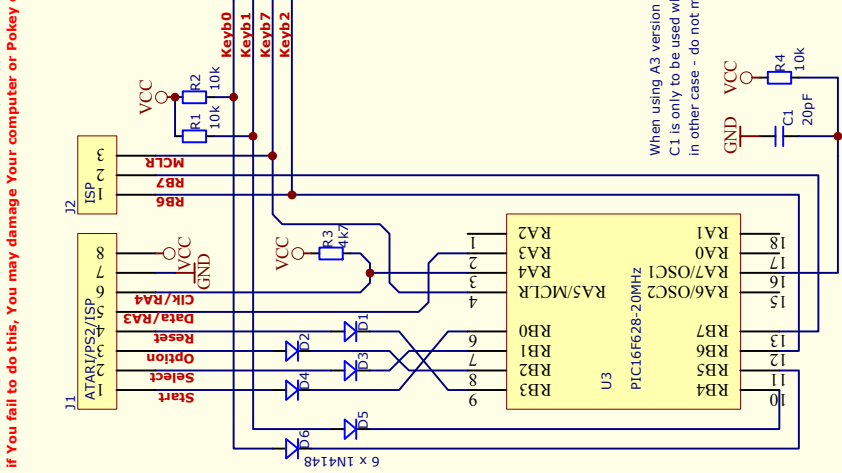
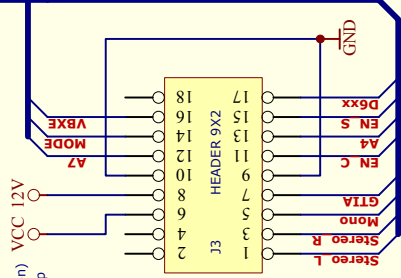


J1 is for ATARI function keys (START, SELECT, OPTION and RESET). Pins 5-8 of J1 and J2 provide the way for upgrading U3 firmware, please unplug the board from Your computer, and U1 (Pokey) from its socket. **If you fail to do this, You may damage Your computer or Pokey chip**



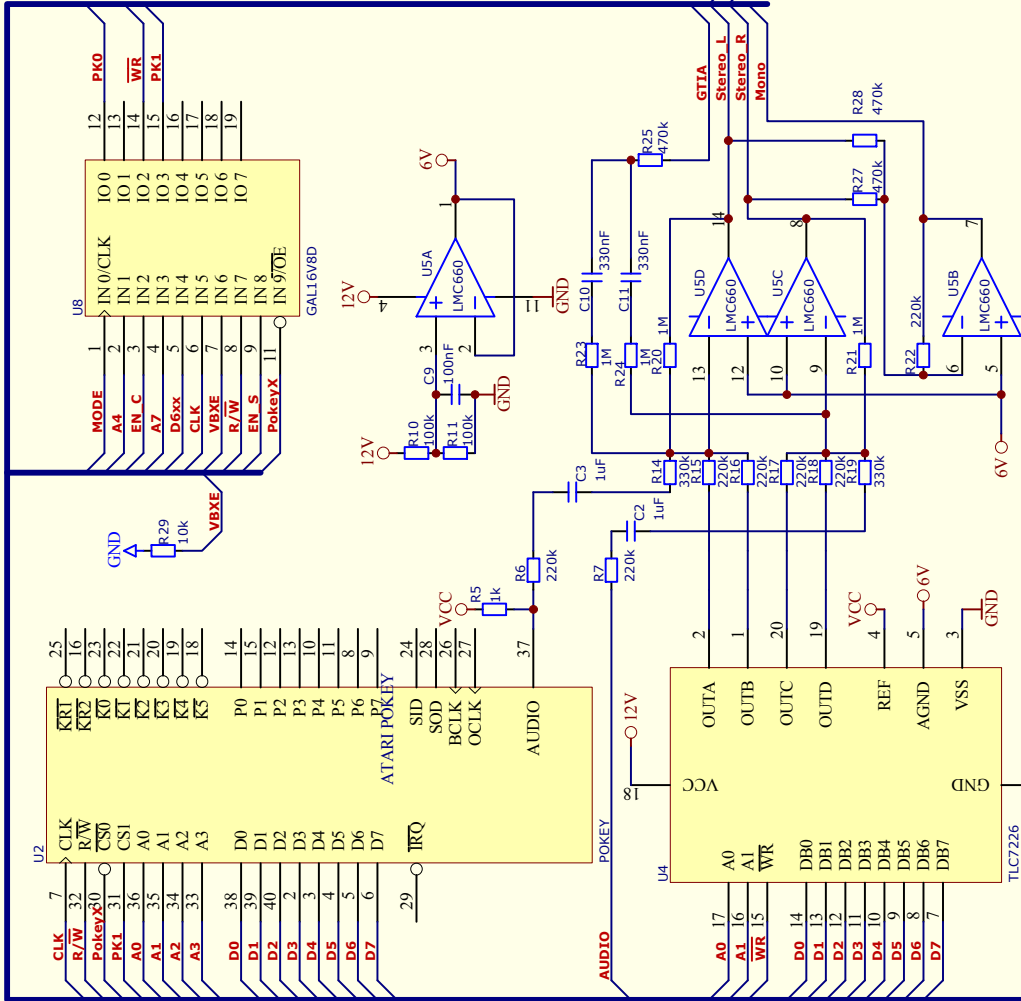
When using A3 version of software - do not mount R4 on board. C1 is only to be used when U3 doesn't work from some reason, in other case - do not mount!

Optional +12V supply for DAC, and amplifier section. Not mandatory, though recommended. If not used, please connect +5V here, otherwise consider cutting out pin 6 (VCC)



EN_C, EN_S are extension enable lines for stereo (S) and coax (C), both are active high (default on). A4 and A7 are Address lines from Your computer, You may find them on pin 6 and 3 of OS ROM chip. When MODE=0 D6xx have to be connected to pin 9 of IO decoder chip (74LS138), or left open for D280 operation (MODE=1), in VBXE mode (default off) D6xx pin is used for input of external decoder. Minimal wire set consist of: A4, A7 for proper operation, GTIA, Stereo_L and Stereo_R for sound input/output. GTIA is keyboard click sound from GTIA

WARNING! DO NOT MISPLACE 12V connector from IO-Board, doing so will result in major failure of the board, or Your computer



Optional smoothing caps, left open

DarkAKI interface by DarkDk. Original AKI interface was developed by André Bertram. Special thanks to Pajero/MadTeam (Pawel Nowak) for his help with checking the circuit. SimpleStereo concept and schematics by Candle'O'Sin (Sebastian Bartkiewicz). Copyright (c) 2009 Sin Group. <http://spiflash.org/>

Title Simple Stereo		Sin Group		Sebastian Bartkiewicz (Candle'O'Sin)	
Size: A4	Number: 1	Revision: 2		http://spiflash.org	
Date: 3-Jun-2009	Time: 14:24:25	Sheet 1 of 1		Poland 2009	
File: SimpleStereo.Sch					